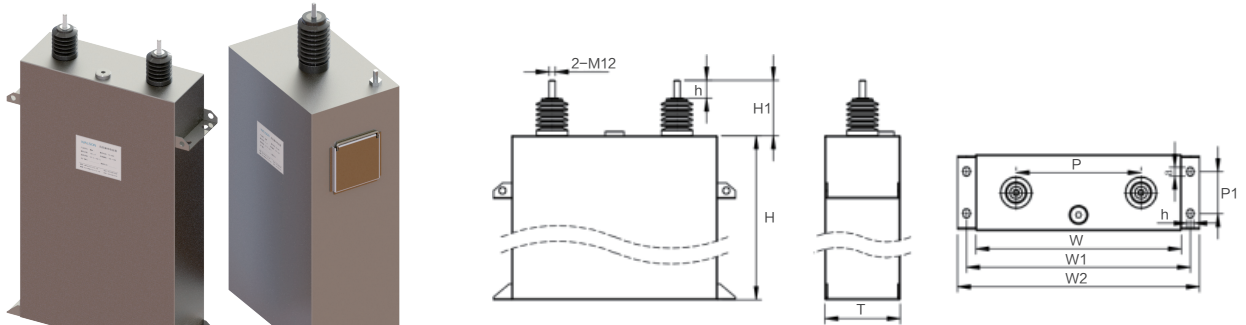


WPM 高压脉冲电容器

High Voltage Pulse Capacitor

外形图 Outline Drawing



单位 Unit: mm

特点 Features

- 无磁不锈钢外壳，比能高
- 干式全密封结构，避免因泄漏而污染环境，安全可靠，防潮性能好
- 良好的自愈性能，产品性能稳定，安全可靠，寿命长
- Non-magnetic stainless steel shell, high specific energy
- Dry type fully sealed structure avoids environmental pollution due to leakage, safe and reliable, and has good moisture-proof performance
- Good self-healing property, stable performance, safe and reliable long life

主要用途 Typical Applications

- 能库能源系统，作为主要的储能元件
- 冲击电流发生器、冲击电压发生器、非连续脉冲装置
- 电缆测试仪、矿藏探测仪、纳米设备等
- In the energy repository as the main energy storage element
- Impulse current generator, impulse voltage generator, discontinuous pulse device
- Cable tester, mineral exploration instrument, nano equipment, etc.

技术要求 Specifications

额定直流电压 Rated DC Voltage	4kV~75kV
标称电容量 Normal capacitance	1 μF ~ 10000 μF
容量偏差 Capacitance Tolerance	0~10% or ±5% (J) ±10% (K)
损耗角正切 Loss Tangent	≤0.0020 (100 Hz, 20 °C)
运行温度范围 Operating temperature range	-25 °C ~ 50 °C
极间耐压 Voltage Test Between Terminals	1.0U _N ~1.5U _N 10S

■ 规格参数 Specification Parameter

容量 μF Capacitance	额定电压 kVdc Rated voltage	储能 kJ Stored energy	峰值电流 kA Peak current	反向电压率 % Reverse voltage rate	电感 nH Inductance	寿命 (次) Life (times) ($\Delta C/C < 5\%$)	储能密度 J/cm^3 Density of stored energy	外形尺寸 mm Dimensions	重量 kg Weight
1000	5	12.5	35	10	400	5×10^4	0.8	315 × 130 × 380	16
4000	5.5	60	100	10	300	1×10^4	1.0	425 × 258 × 550	58
7500	6.5	158	175	10	150	1×10^3	1.8	406 × 305 × 725	85
75	8	2.4	9.5	90	300	5×10^4	0.48	256 × 70 × 280	6
320	8	10.24	28	80	100	5×10^4	0.49	256 × 256 × 320	22
500	10	25	35	20	200	1×10^4	1.04	265 × 256 × 355	25
500	10	25	35	20	200	5×10^4	0.8	290 × 256 × 420	30
500	10	25	30	20	200	2×10^3	1.63	278 × 187 × 295	20
1000	10	50	75	10	100	5×10^4	0.85	480 × 256 × 479	62
500	11.2	31.36	30	10	200	2×10^4	1.01	290 × 256 × 420	31
830	11.2	52.06	75	10	80	2×10^4	1.0	440 × 420 × 280	68
600	15	67.5	75	20	165	5×10^4	0.7	430 × 406 × 550	90
70	20	14	10	20	300	10×10^4	0.53	405 × 205 × 320	26
140	20	28	20	20	150	5×10^4	0.57	390 × 258 × 485	47
55	25	17.2	6	10	400	10×10^4	0.52	340 × 134 × 730	32
110	25	34.4	10	10	240	10×10^4	0.52	429 × 258 × 595	60
145	25	45.3	20	10	200	2×10^4	0.91	358 × 318 × 438	57
254	35	155.58	40	10	75	4×10^4	0.8	740 × 385 × 680	175
80	60	144	40	10	150	4×10^4	0.83	510 × 500 × 680	155

备注 Notes:

可以根据用户需要设计生产其它尺寸。

We can produce different size according to customer's requirements.